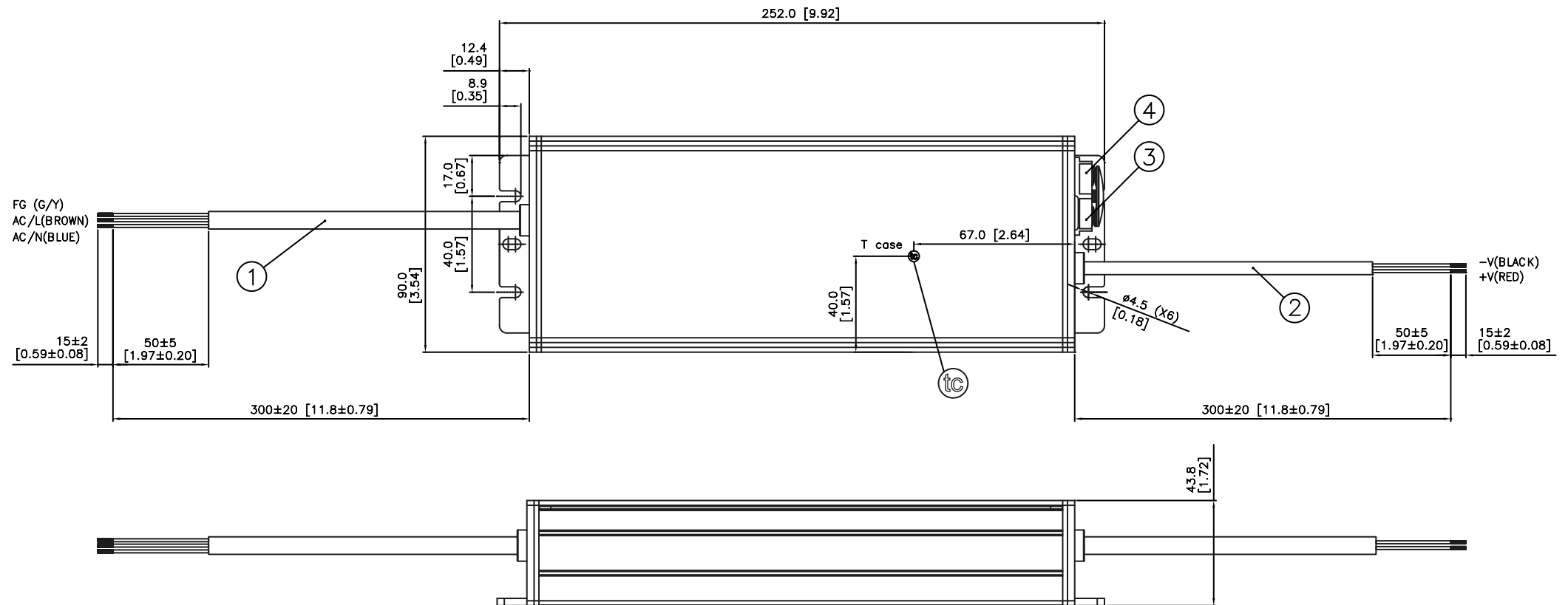


# LNE LED Driver

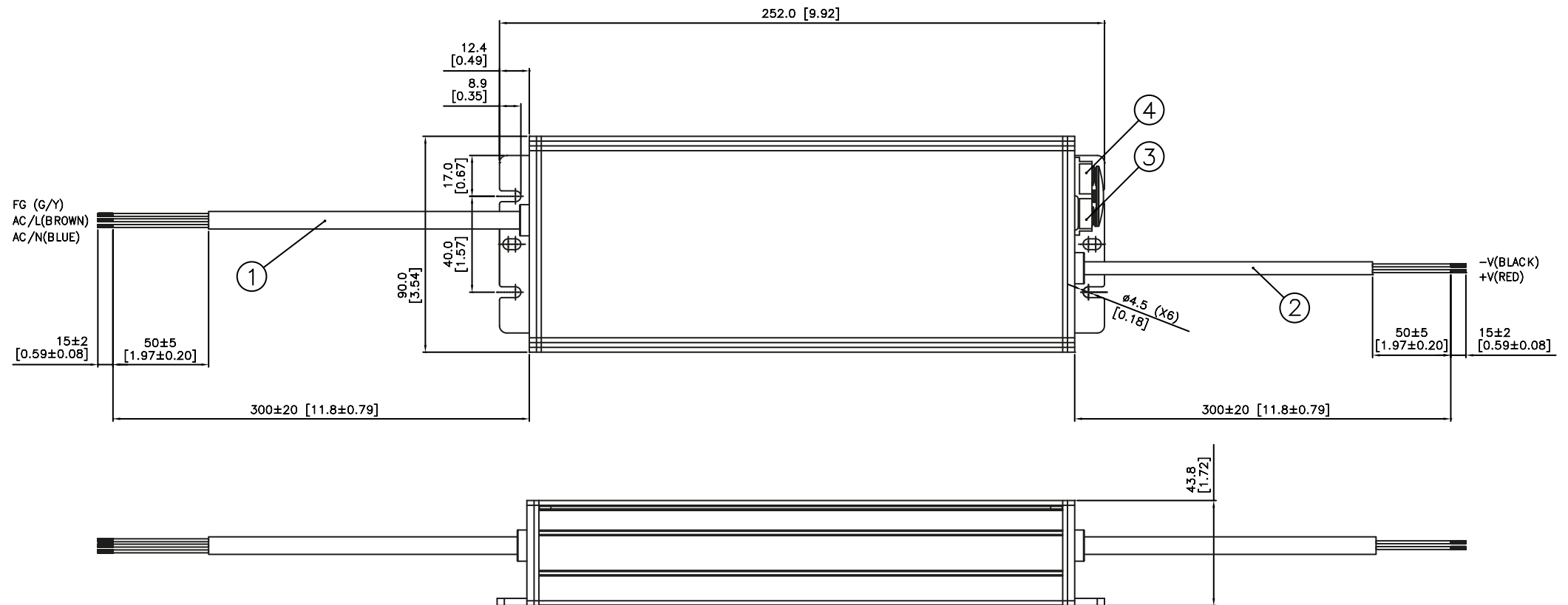
12V 270W 1 Phase / LNE-12V320WACA



Item	Device Description
1	Input Cable
2	Output Cable
3	Vo Adjust (Constant Voltage Adjustment)
4	Io Adjust (Constant Current Adjustment)
tc	T case (tc): Temperature hot spot location on case.

# LNE LED Driver

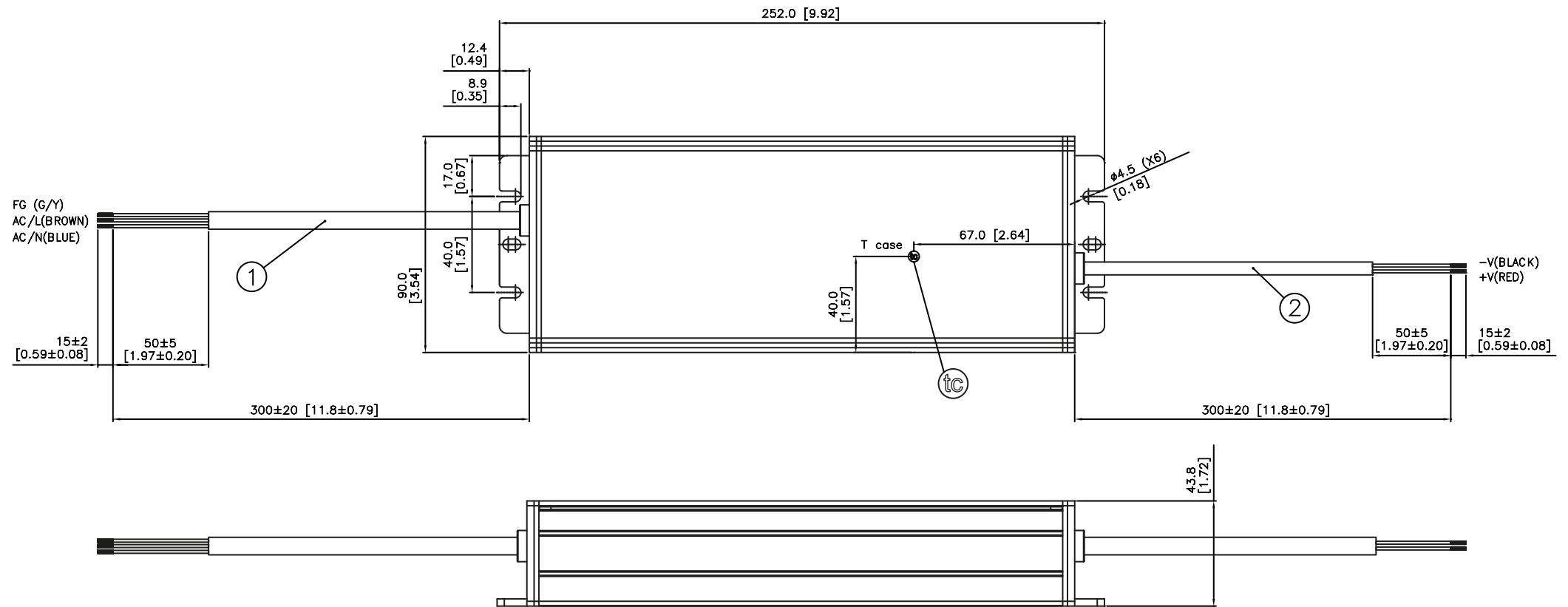
12V 270W 1 Phase / LNE-12V320WAAA



Item	Device Description
1	Input Cable
2	Output Cable
3	Vo Adjust (Constant Voltage Adjustment)
4	Io Adjust (Constant Current Adjustment)

# LNE LED Driver

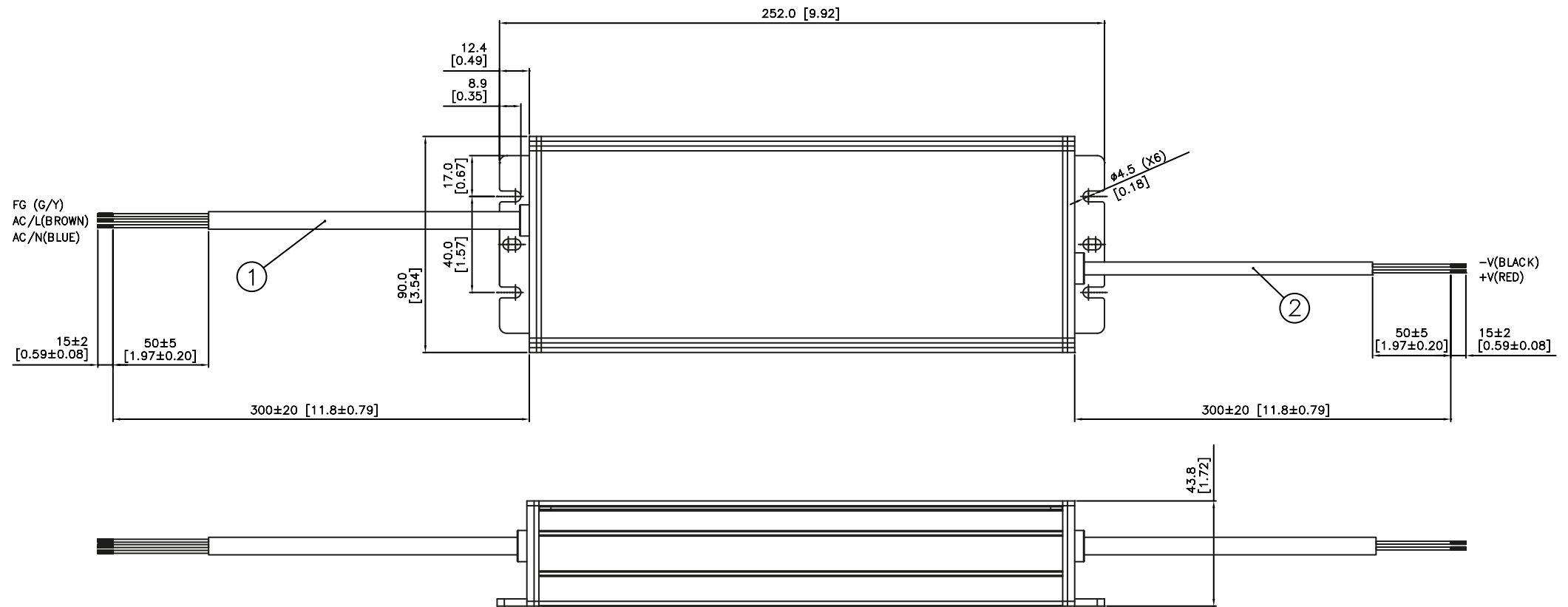
12V 270W 1 Phase / LNE-12V320WBCA



Item	Device Description
1	Input Cable
2	Output Cable
tc	T case (tc): Temperature hot spot location on case.

# LNE LED Driver

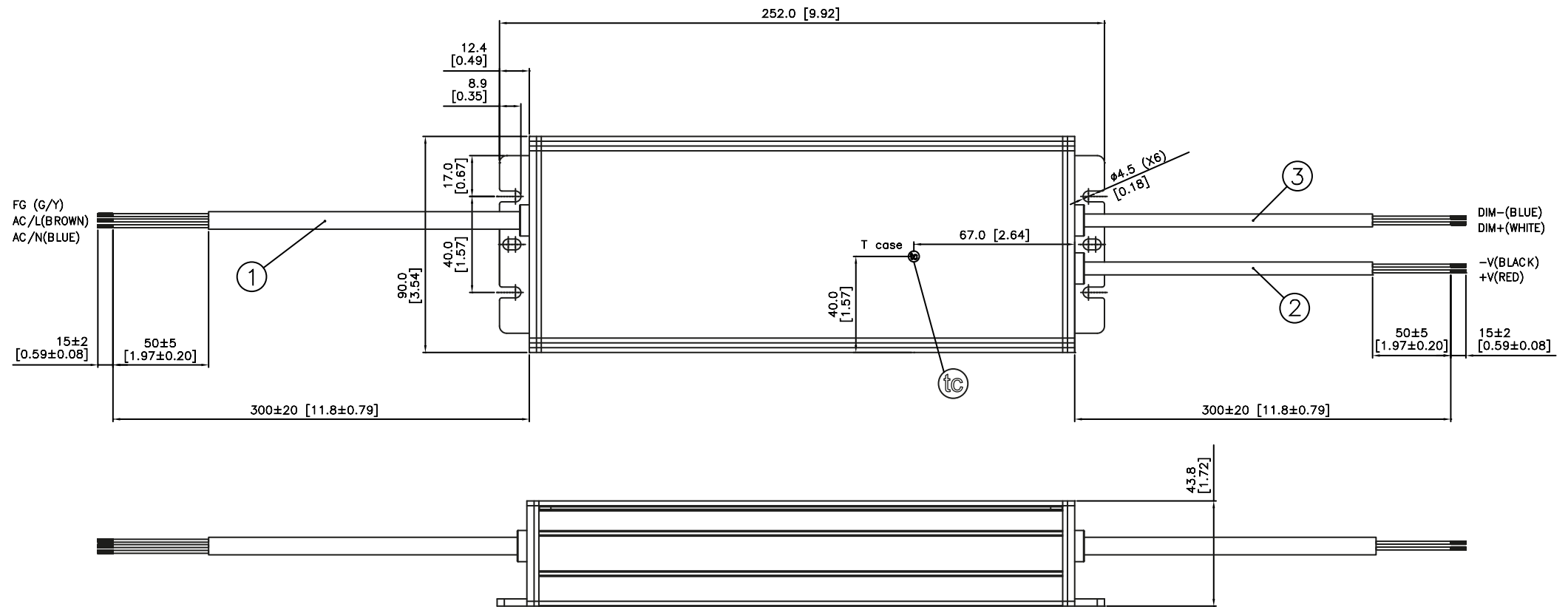
12V 270W 1 Phase / LNE-12V320WBAA



Item	Device Description
1	Input Cable
2	Output Cable

# LNE LED Driver

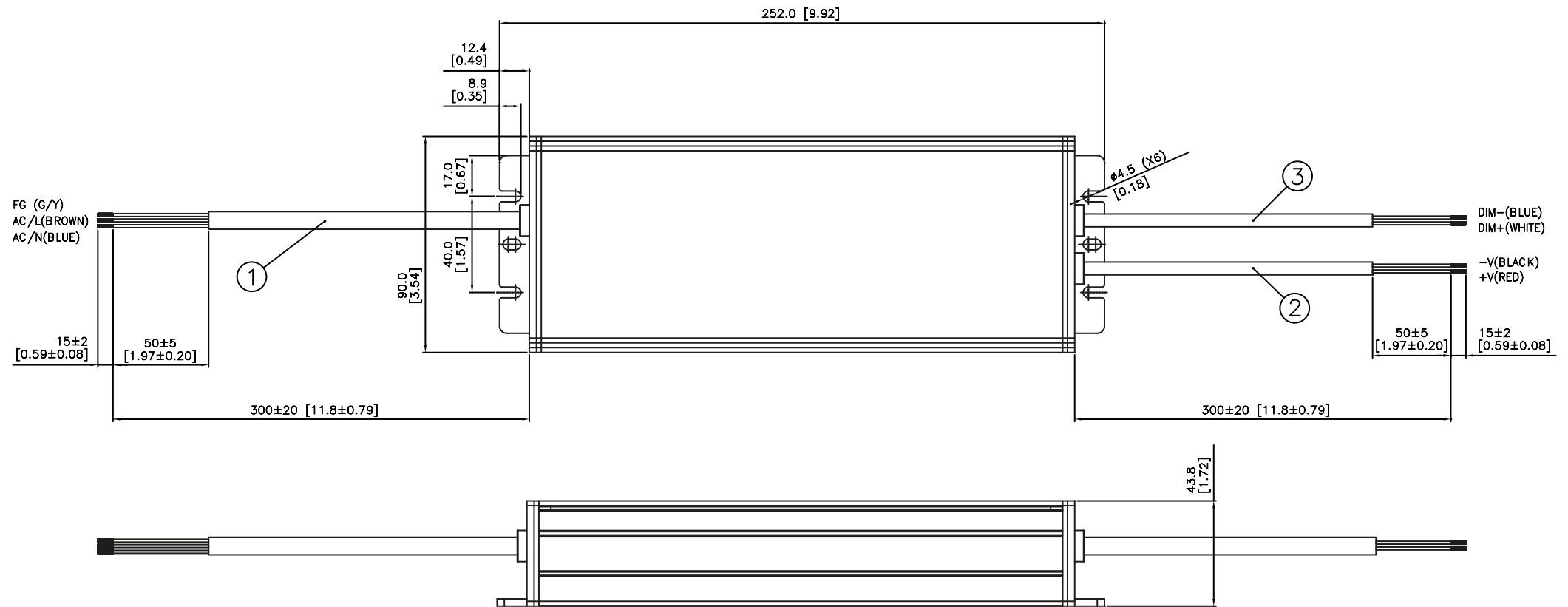
12V 270W 1 Phase / LNE-12V320WDCA



Item	Device Description
1	Input Cable
2	Output Cable
3	Dimming Cable
tc	T case (tc): Temperature hot spot location on case.

# LNE LED Driver

12V 270W 1 Phase / LNE-12V320WDAA



Item	Device Description
1	Input Cable
2	Output Cable
3	Dimming Cable