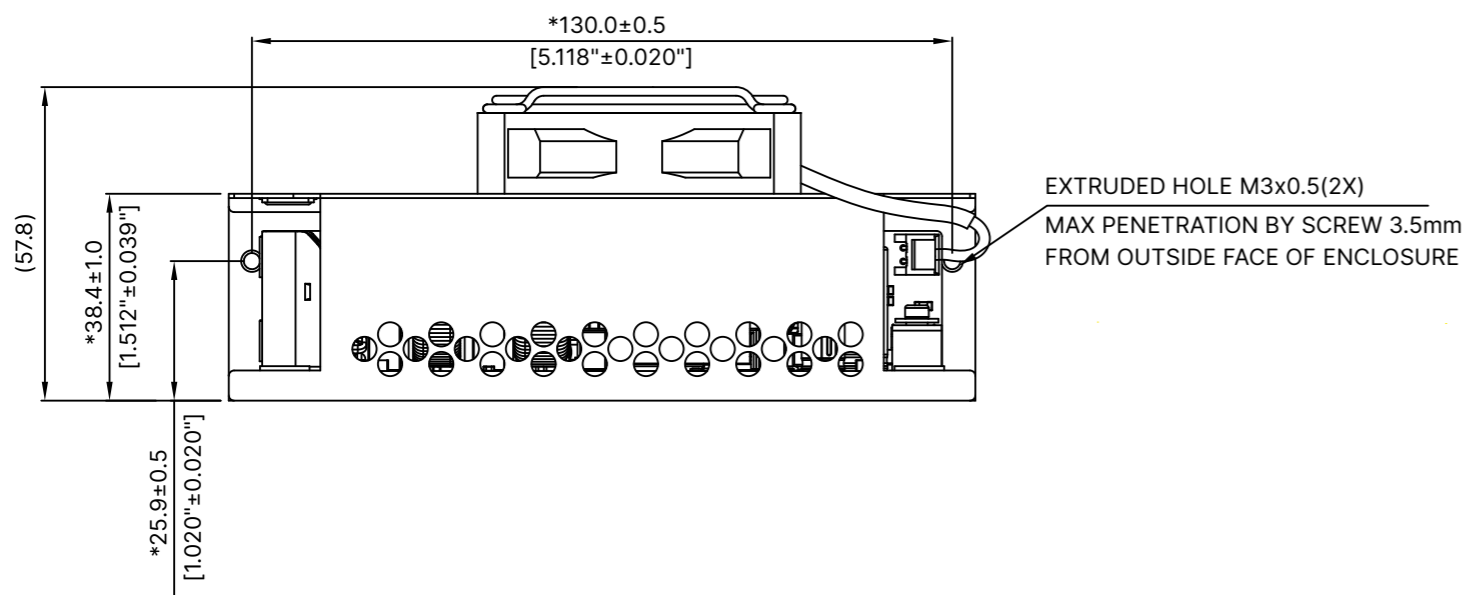
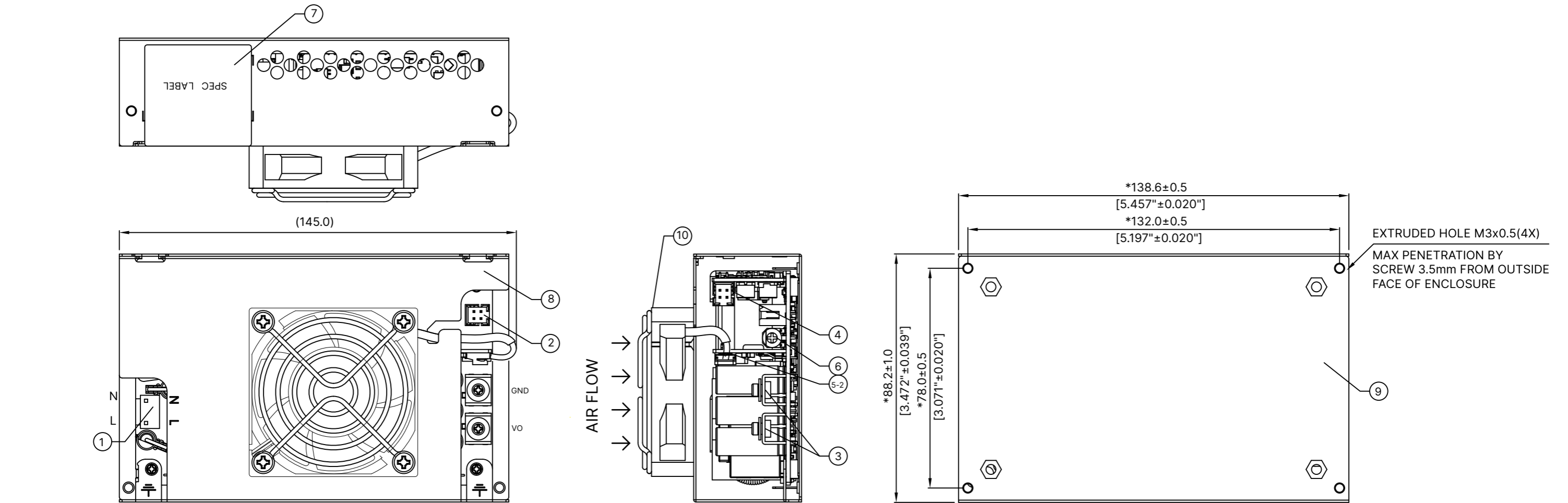


MEP

Enclosed Medical Power Supply

MEP-500A□□J DRA



UNLESS OTHERWISE SPECIFIED TOLERANCE OF DIMENSION ARE ±1.0.

TAB.1 COMPONENT TABLE

ITEM	PART NAME	COLOR	REMARK
1	AC INPUT (CN1) JST: B2P3-VH(LF)(SN) MATING WITH JST: VHR-3N	NATURAL	
2	DC OUTPUT (CN102) HIROSE: DF1BZ-4DP-2.5DSA MATING WITH HIROSE: DF1B-4DS-2.5RC	NATURAL	
3	DC OUTPUT MATTING: M4 SCREW	NATURAL	
4	DC OUTPUT (CN301) HIROSE: DF1BZ-4DP-2.5DS MATING WITH HIROSE: DF1B-4DS-2.5RC	NATURAL	
5-1	DC OUTPUT (CN103) JST: B2B-EH-A(LF)(SN) MATING WITH JST: EHR-2	NATURAL	FOR 12V
5-2	DC OUTPUT (CN202) JST: S2B-EH(LF)(SN) MATING WITH JST: EHR-2	NATURAL	FOR 18 / 24 / 48V
6	VR	--	
7	SPEC LABEL	WHITE	
8	TOP CASE	BLACK	
9	BOTTOM CASE	BLACK	
10	FAN WITH FAN GUARD		

TAB.2 CONNECTOR PIN ASSIGNMENT

ITEM	PIN NO.	FUNCTION
CN102 (Control OUTPUT) 	1	Remote Sense -
	2	Remote Sense +
	3	Power Good +
	4	Power Good -
CN301 (Control OUTPUT) 	1	5V Standby
	2	GND
	3	Remote ON_OFF +
	4	Remote ON_OFF - (GND)
CN202 	1	12 Fan
	2	DC RTN