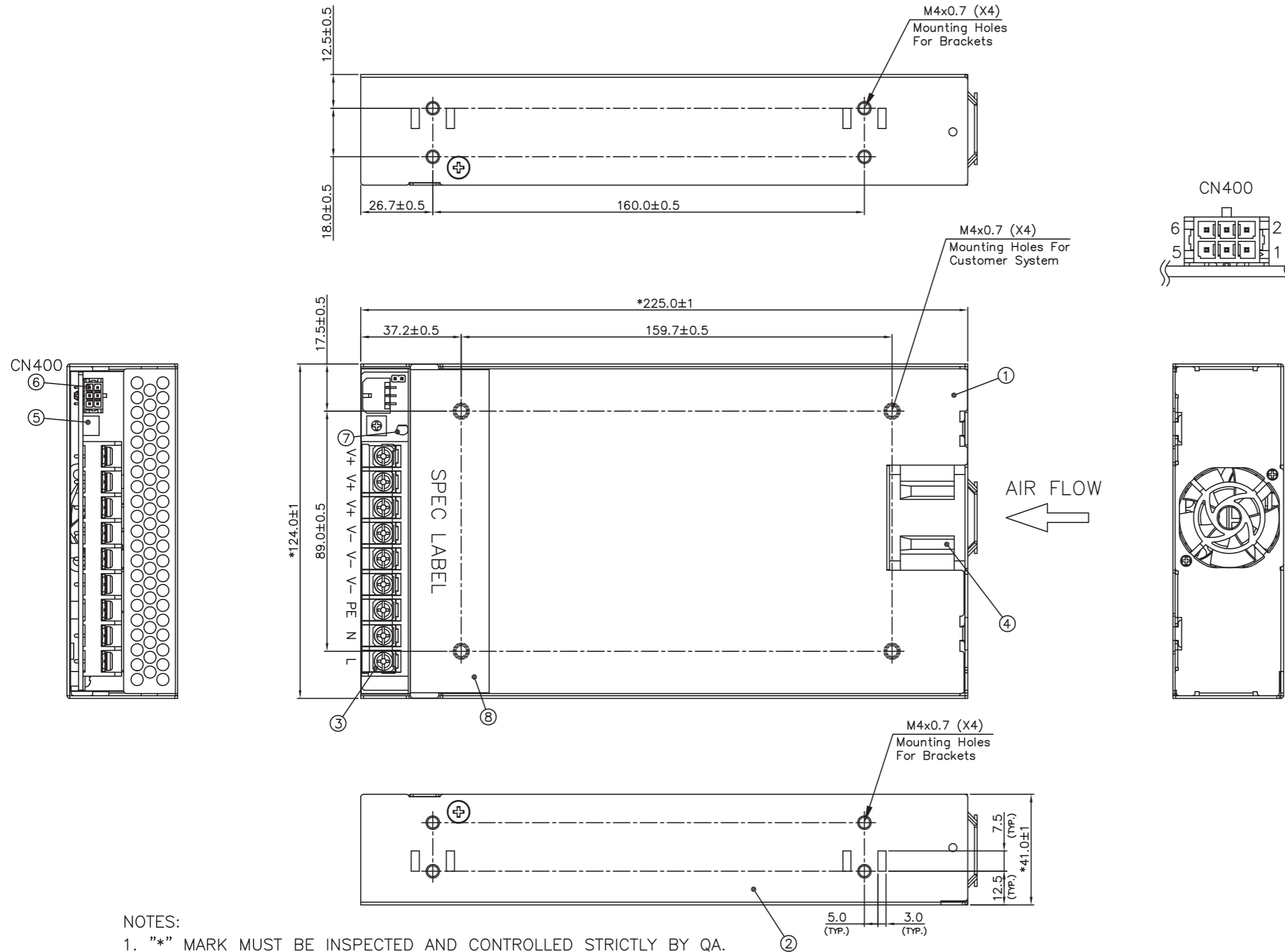


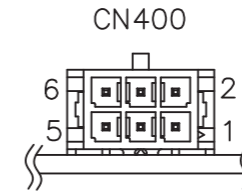
PMR

Panel Mount Power Supply

PMR-□V1K0W1BT



PIN	CN400 PIN ASSIGNMENT
1	RS+ (Remote Sense +)
2	RS- (Remote Sense -)
3	RC+ (Remote ON/OFF +)
4	RC- (Remote ON/OFF -)
5	P+ (Parallel +)
6	P- (Parallel -)



ITEM	PART NAME
1	COVER
2	CHASSIS
3	INPUT/OUTPUT TERMINAL BLOCK (WITH COVER)
4	FAN
5	VR (OUTPUT VOLTAGE ADJUST)
6	OUTPUT CONNECTOR (CVLUX CP3506P1H00-NH)
7	LED (GREEN)
8	SPEC LABEL

NOTES:

- "*" MARK MUST BE INSPECTED AND CONTROLLED STRICTLY BY QA.
- CASE MOUNTING TORQUE: 4~6Kgf-cm.
- TERMINAL BLOCK SCREW TIGHTENING TORQUE: 8.0Kgf-cm MAX.
- COMPLIANT MODEL: PMR-12V1K0W1BT, PMR-24V1K0W1BT, PMR-36V1K0W1BT, PMR-48V1K0W1BT